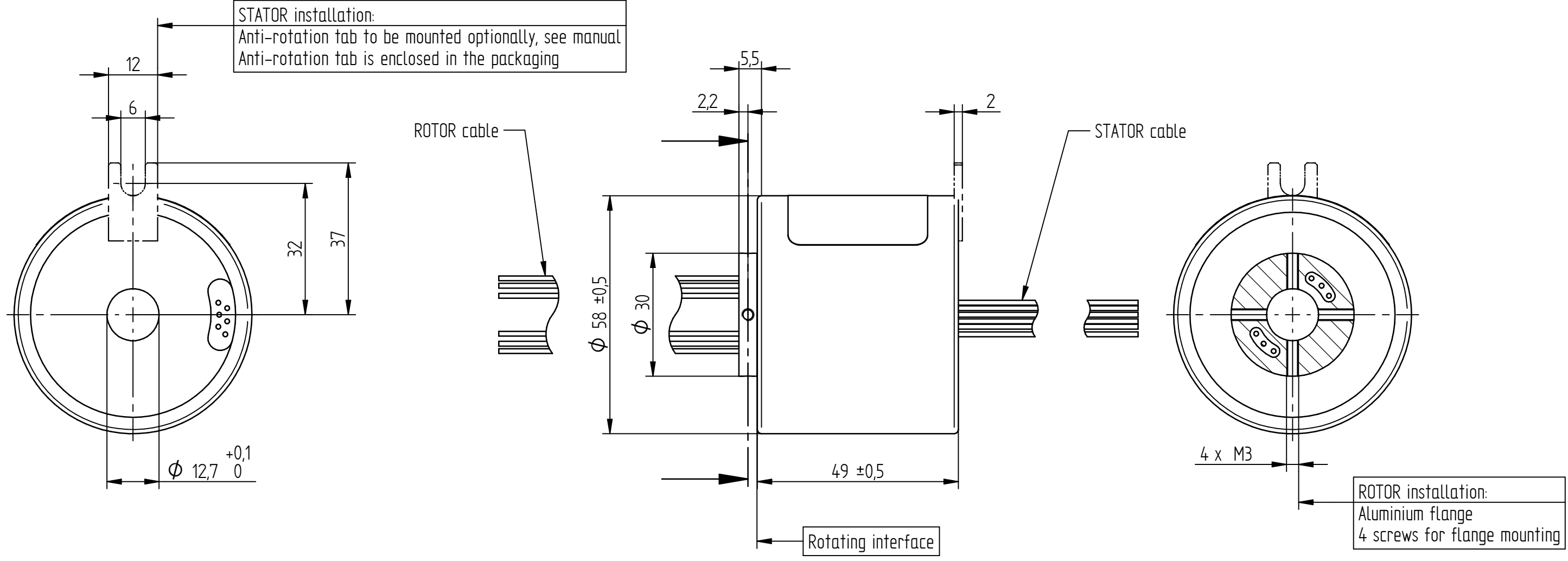


All drawings are the property of Schleifring GmbH/ Germany and are to be treated as confidential. The reproduction, distribution and utilization as well as the communication of its contents to others without express authorization is prohibited. Offenders will be held liable for the payment of damages. All rights reserved in the event of the grant of a patent, utility model or design.



Wiring diagramm see sheet 2

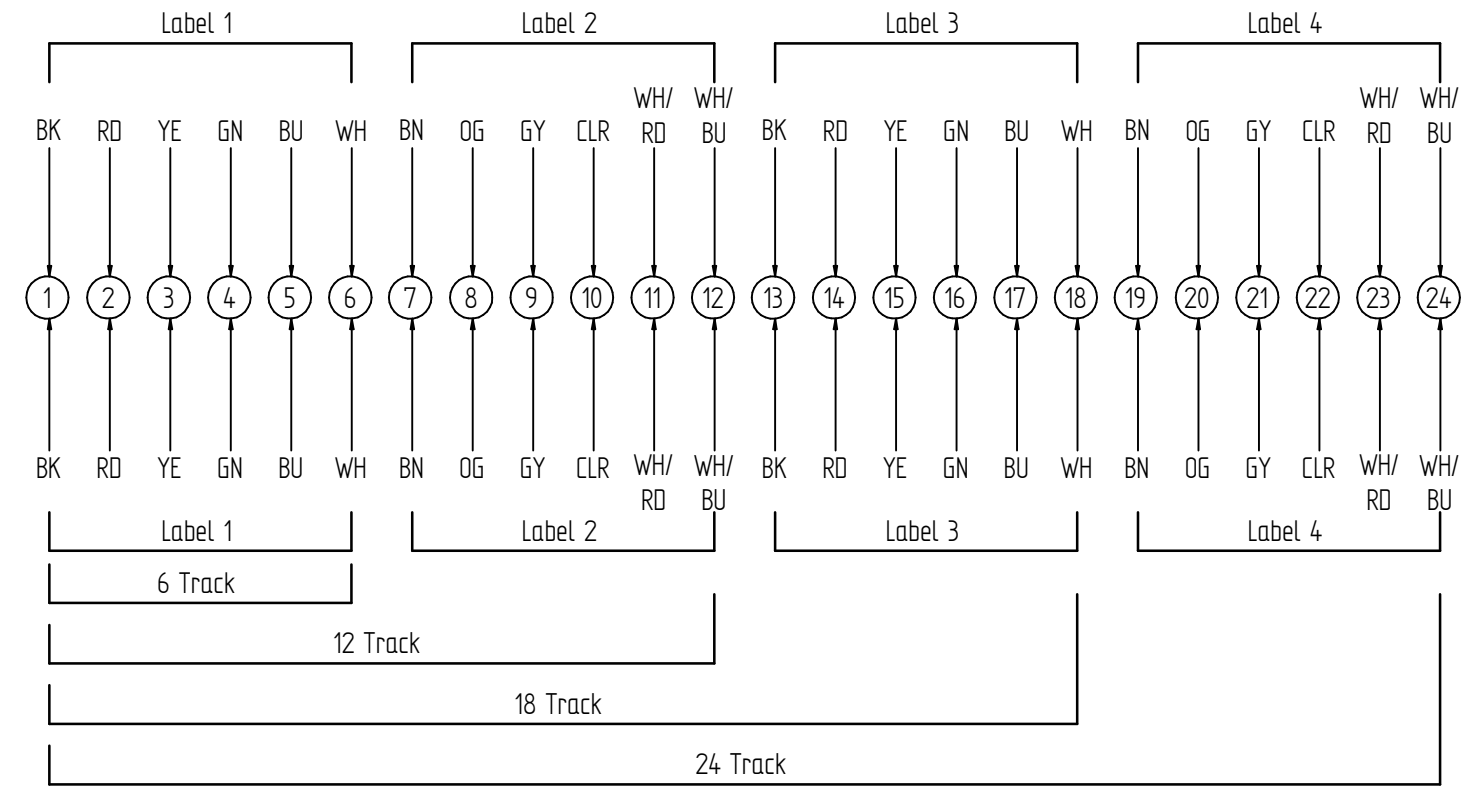
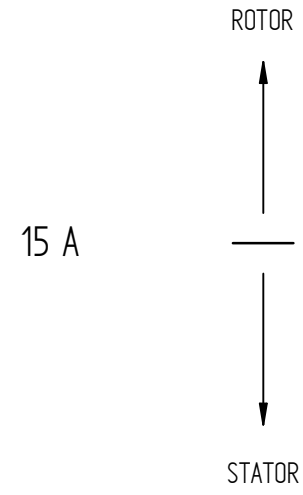
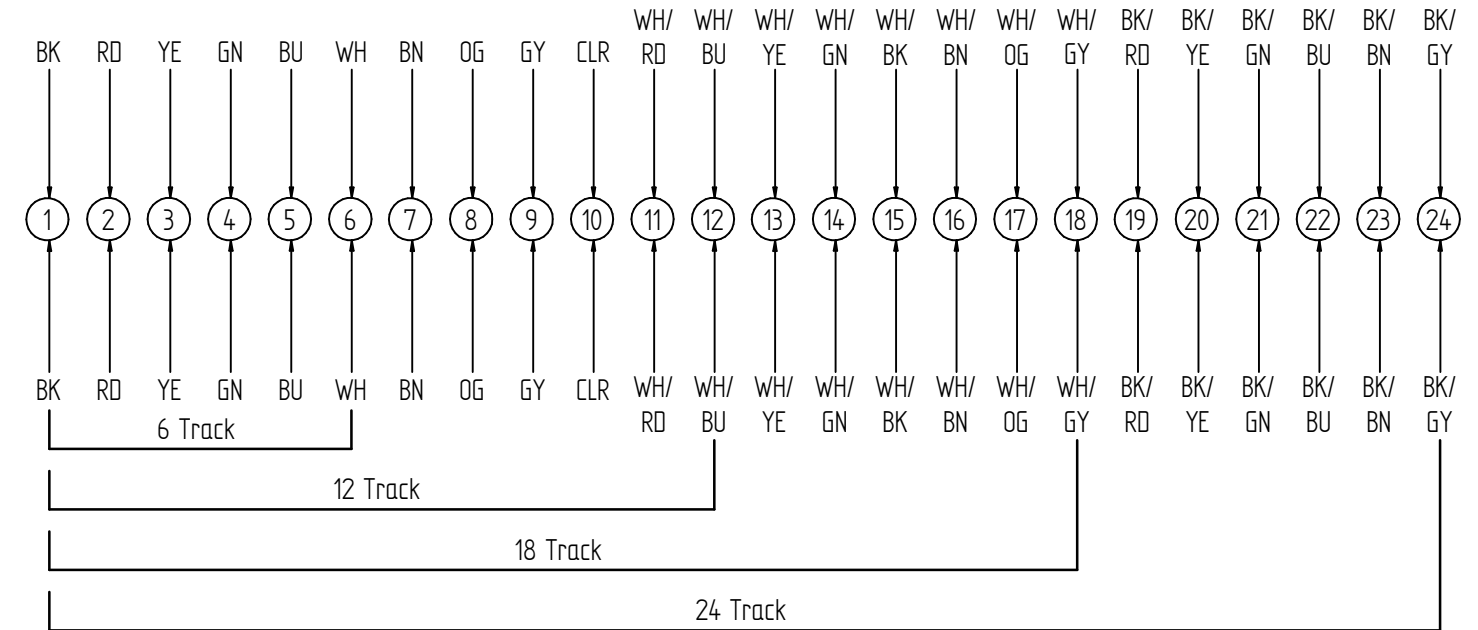
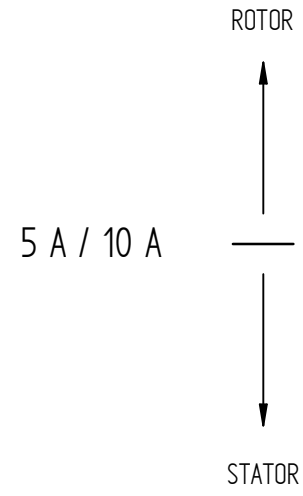
Die Montageanleitung 7BC000000 wird elektronisch bereitgestellt.
 The assembly instruction 7BC000000 is provided in electronic format.

ELECTRONIC & ELECTRIC		MECHANICAL	
Rating Voltage	250 V AC / DC or 400 V AC	Working Speed	300 rpm max.
		Inner Diameter	$\phi 12,7$
		Contact Material	Precious Metals
Current	10 A	Lead Wire Length	STATOR: 250 mm ROTOR: 250 mm
Track	6	/	/
Insulation Resistance	500 M Ω @ 500 V DC	/	/
ENVIRONMENT		REMARKS	
Working Temperature	-20 °C to +60 °C	Application	see Manual
Working Humidity	≤ 60 % RH	Other	/
Protection Class	IP50	Note:	/

10	1	70C000001	Maverick Schleifring 6-Weg 10A		
Pos.	Anz.	Mat.Nr.	Kurztext	Größe/Abmessung	Werkstoff
1	2	3	4	5	6
DIN ISO 5456-2		TOLERANCES		DIN ISO 13715	
		ISO 2768 - mH		$\begin{matrix} +0,3 & -0,1 \\ & \\ +0,1 & -0,3 \end{matrix}$	
				FINISH	
STANDARDS		DWG NO		REVISION	
ISO 8015 ISO 14405		7KC000001		B1	
		Beschreibung Maverick Schleifring 6-Weg 10A DESCRIPTION Maverick Slip Ring 6-Track 10A SIZE/DIM.		FIRST RELEASE	
				28.07.2021	
		APPROVED AGREPPMAYR		DESIGNER	
				CREITER	
		CHANGE NO 200120151		APPROVED	
				21.11.2022	
		DOCUMENT TYPE Kundenzeichnung		SHEET	
				1/2	

All drawings are the property of Schleifring GmbH/ Germany and are to be treated as confidential. The reproduction, distribution and utilization as well as the communication of its contents to others without express authorization is prohibited. Offenders will be held liable for the payment of damages. All rights reserved in the event of the grant of a patent, utility model or design.

Cable Table	
Current	Cable
5 A / Signal	AWG17
10 A	
15 A	AWG14



DIN ISO 5456-2 	TOLERANCES ISO 2768 - mH	DIN ISO 13715 	FINISH MATERIAL	SCALE	REFERENCE 2
				1:1	
STANDARDS ISO 8015 ISO 14405			DWG NO 7KLC000001	REVISION B1	FIRST RELEASE
					28.07.2021
				DESIGNER	18.11.2022
				APPROVED	21.11.2022
				CHANGE NO	
				200120151	
				DOCUMENT TYPE	SHEET
				Kundenzeichnung	2/2



Beschreibung **Maverick Schleifring 6-Weg 10A**
 DESCRIPTION **Maverick Slip Ring 6-Track 10A**
 SIZE/DIM.